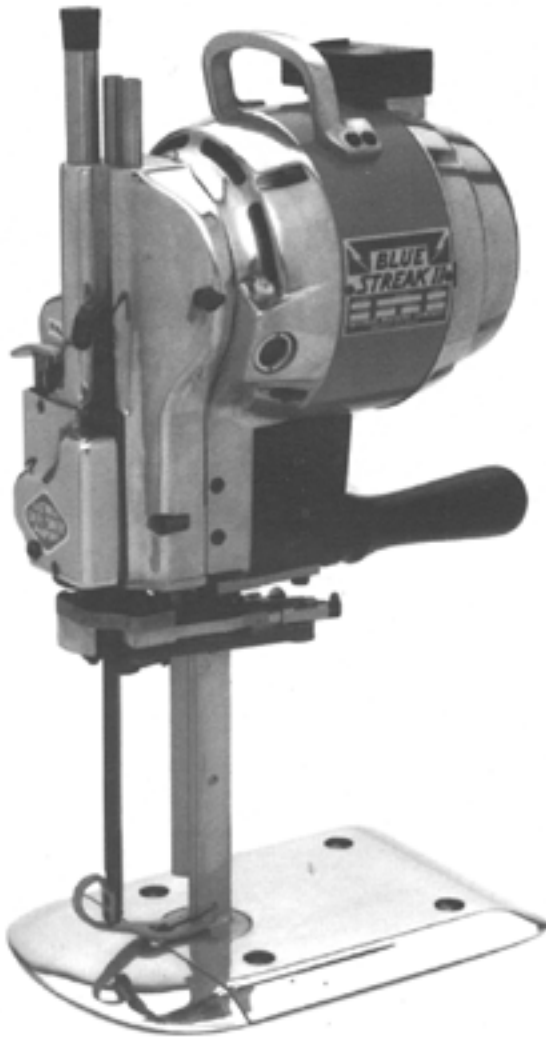


EASTMAN®

BLUE STREAK® II Model 629X

BRUTE Model 627X



Parts List

Blue Streak II Model 629X

Brute Model 627X

Serial # _____

⚠ WARNING

This machine is equipped with a very sharp knife. Keep hands, arms, and hair away from the knife area at all times.

Misuse of this machine or failure to follow all safety instructions on this machine and in the instruction manual may result in serious personal injuries.

Eastmanmachine
COMPANY

Illustrated Parts List

Your Eastman Straight Knife has been carefully designed to provide many hours of trouble-free operation. The comprehensive exploded parts illustrations have been carefully prepared to enable you to easily order replacement parts. Replacement parts for this machine may be ordered through your nearest Eastman Machine Company representative or directly from the Eastman factory.

Note: Please specify the model and serial number of your machine when ordering parts. Always specify class number and serial number when ordering parts for faster, more efficient service.

Exploded Parts Illustrations

The exploded parts illustrations and parts lists in this section have been divided into major assemblies as follows:

Motor Assemblies

Single-Phase, Single-Speed	Pages 22, 23
Single-Phase, Dual-Speed	Pages 22, 23
Three-Phase, Single-Speed	Pages 24, 25
Three-Phase, Dual-Speed	Pages 24, 25

Front Bearing Housing Assembly

See pages 26 and 27.

Sharpener Housing Assembly

Front view, see pages 28 and 29.

Rear view, see pages 30 and 31.

Lower Gear Bracket Assembly

See pages 32 and 33.

Note: Four different abrasive belt grits (designed to provide you with a selection of edges) may be ordered for this machine. See pages 19 and 21 of the instructions section for more information.

Standard and Baseplate Assembly

See pages 34 and 35.

Note: Knife slides and standard heights indicated on pages 34 and 35 are based on the length of the knife and do not refer to physical dimensions. Thus, a 6" knife slide accommodates a 6" knife. Ordering information and part numbers for knives on pages 12 and 13 of the instructions section.

FASTENERS REQUIRED TO ASSEMBLE MAJOR COMPONENTS

PART NO.	NO. REQ'D		DESCRIPTION
	Class 627	Class 629	
4C1-99	3	3	Sharpener Hold-Down Nut
4C1-150	1	1	Sharpener Hold-Down Nut
4C1-179	4	4	Front-to-Rear Bearing Nut
4C2-2	1	1	Plate Bolt Nut
20C3-29	0	4	Front-to-Rear Bearing Screw
20C3-35	4	0	Front-to-Rear Bearing Screw
20C13-96	4	0	Standard-to-Bearing Screw
24C4	1	1	Plate Bolt

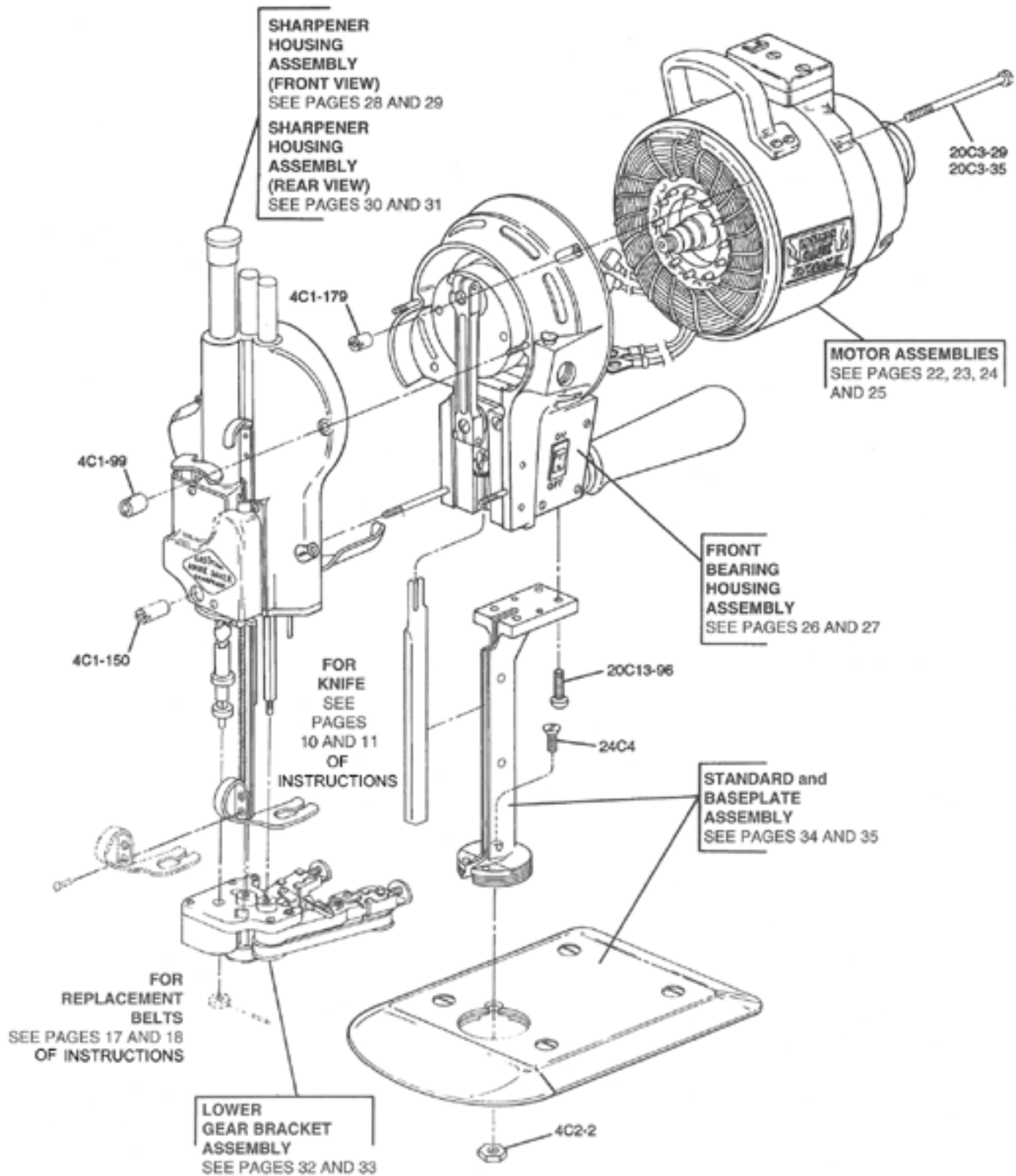


Figure 20. Standard and Baseplate Assembly (Exploded View)

Single-Phase Motor Assemblies (Single- and Dual-Speed)

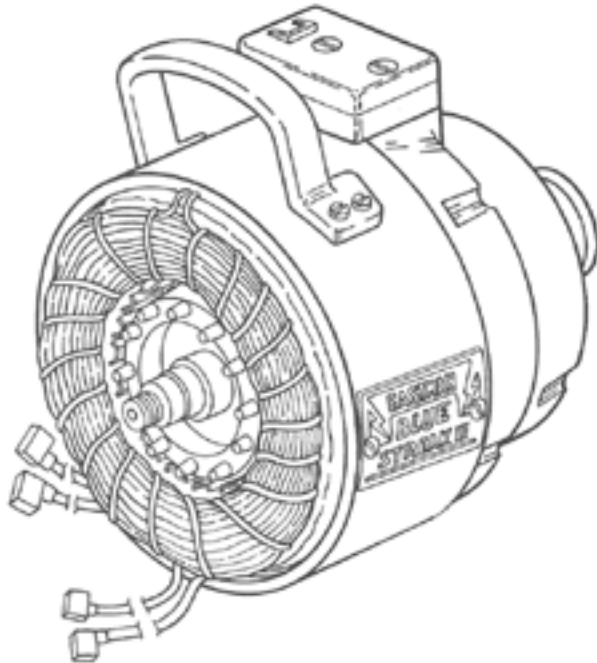


Figure 21. Single-Phase Motor Assembly
(Assembled View)

Note: Please specify model and serial number of machine when ordering parts.

Part No.	No. Req'd	Description
4C1-145	1 1	Shaft Lock Nut
4C2-87	1 1	Nut, Clutch
8C5-10	1 1	Automatic Switch Insulation
8C12-4	2 2	Lead Wire Insulation
10C1-41	1 1	Rotor Fan
12C1-12	1 1	Loading Spring Washer
12C1-32	1 1	Lock Washer
13C1-9	1 1	Turning Knob
18C6-16	1 1	Retaining Ring
22C1-24	1 1	Carrying Handle
30C1-8	1 1	Dust Cap
34C1-51	1 1	Clutch Spring
47C4-79	1 1	Terminal
47C4-80	1 1	Terminal

Part No.	No. Req'd	Description
53C7-35	1 1	Fan Cover
73C7-121	1 1	Terminal Wire Tubing
90C1-146	1 1	Rear Bearing Housing
90C6-46	1 1	Rear Ball Bearing
254C1	1 1	Cable Tie, 4"
300C12-6	4 4	Screw, Round Head
301C8-1	3 3	Screw, 4-40 x 1/2 Fillet Head
301C12-3	2 2	Screw, 8-32 x 3/8 Fillet Head
305C8-1	10 10	Screw, Binding Head
305C10-1	1 1	Screw, Binding Head
513C3-206	0 1	Rotor and Shaft
513C3-225	1 0	Rotor and Shaft
514C5-109	1 0	Stator with Band 110V 60 Hz. 3600 R.P.M.
514C5-110	1 0	Stator with Band 220V 60 Hz. 3600 R.P.M.
514C5-113	1 0	Stator with Band 220V 50 Hz. 3000 R.P.M.
514C5-114	1 0	Stator with Band 110V 60 Hz. 1800/3600 R.P.M.
514C5-115	1 0	Stator with Band 220V 60 Hz. 1800/3000 R.P.M.
514C5-117	1 0	Stator with Band 110V 50 Hz. 3000 R.P.M.
514C5-118	1 0	Stator with Band 220V 50 Hz. 1500/3000 R.P.M.
514C5-119	1 0	Stator with Band 110V 50 Hz. 1500 R.P.M.
514C5-120	0 1	Stator with Band 42V 50 Hz. 3000 R.P.M.
514C5-121	0 1	Stator with Band 42V 50 Hz. 1500/3000 R.P.M.
514C5-122	0 1	Stator with Band 100V 60 Hz. 3600 R.P.M.
514C5-123	0 1	Stator with Band 100V 60 Hz. 1800/3600 R.P.M.
514C5-124	0 1	Stator with Band 100V 50 Hz. 3000 R.P.M.
514C5-125	0 1	Stator with Band 110V 50 Hz. 1500/3000 R.P.M.
514C5-127	0 1	Stator with Band 110V 60 Hz. 3600 R.P.M.
514C5-128	0 1	Stator with Band 110V 60 Hz. 1800 R.P.M.
514C5-129	0 1	Stator with Band 110V 60 Hz. 1500/3000 R.P.M.
514C5-137	0 1	Stator with Band 220V 50 Hz. 3000 R.P.M.
514C5-138	0 1	Stator with Band 220V 50 Hz. 1500 R.P.M.
514C5-139	0 1	Stator with Band 220V 50 Hz. 1500/3000 R.P.M.
514C5-140	0 1	Stator with Band 220V 60 Hz. 3600 R.P.M.
514C5-141	0 1	Stator with Band 220V 60 Hz. 1800 R.P.M.
514C5-142	0 1	Stator with Band 220V 60 Hz. 1800/3600 R.P.M.
514C5-156	1 0	Stator with Band 100V 60 Hz. 1800/3600 R.P.M.
514C5-155	1 0	Stator with Band 42V 50 Hz. 3000 R.P.M.
514C5-174	1 0	Stator with Band 220V 60 Hz. 1800 R.P.M.
514C5-193	0 1	Stator with Band 100V 55 Hz. 3300 R.P.M.
514C5-194	0 1	Stator with Band 100V 55 Hz. 1725/3300 R.P.M.
514C5-195	1 0	Stator with Band 100V 55 Hz. 3300 R.P.M.
514C5-196	1 0	Stator with Band 100V 55 Hz. 1725/3300 R.P.M.
597C2-14	1 1	Cutout Assy 60 Cycle 3600 R.P.M.
597C2-15	1 1	Cutout Assy 50 Cycle 3000 R.P.M.
597C2-16	1 1	Cutout Assy 60 Cycle 1800 R.P.M.
597C2-17	1 1	Cutout Assy 50 Cycle 1500 R.P.M.
597C2-18	1 1	Cutout Assy 50 Cycle 1800/3600 R.P.M.
597C2-25	1 1	Cutout Assy 60 Cycle 1500/3000 R.P.M.
783C1-3	1 1	Grounding Wire Assy.

**STATOR WITH BAND
SINGLE-PHASE SINGLE-SPEED**
(See Page 22 for Ratings)

514C5-109	514C5-128
514C5-110	514C5-137
514C5-113	514C5-138
514C5-117	514C5-140
514C5-119	514C5-141
514C5-120	514C5-164
514C5-121	514C5-174
514C5-122	514C5-193
514C5-124	514C5-195
514C5-127	

**STATOR WITH BAND
SINGLE-PHASE DUAL-SPEED**
(See Page 22 for Ratings)

514C5-114	514C5-139
514C5-115	514C5-142
514C5-118	514C5-156
514C5-123	514C5-194
514C5-126	514C5-196
514C5-129	

WARNING

Attach ground wire to ground terminal "E" on Terminal block. Failure to ground Terminal block may result in electrocution or other serious personal injuries.

Note: L.H. indicates left-hand thread. All others are right-hand.

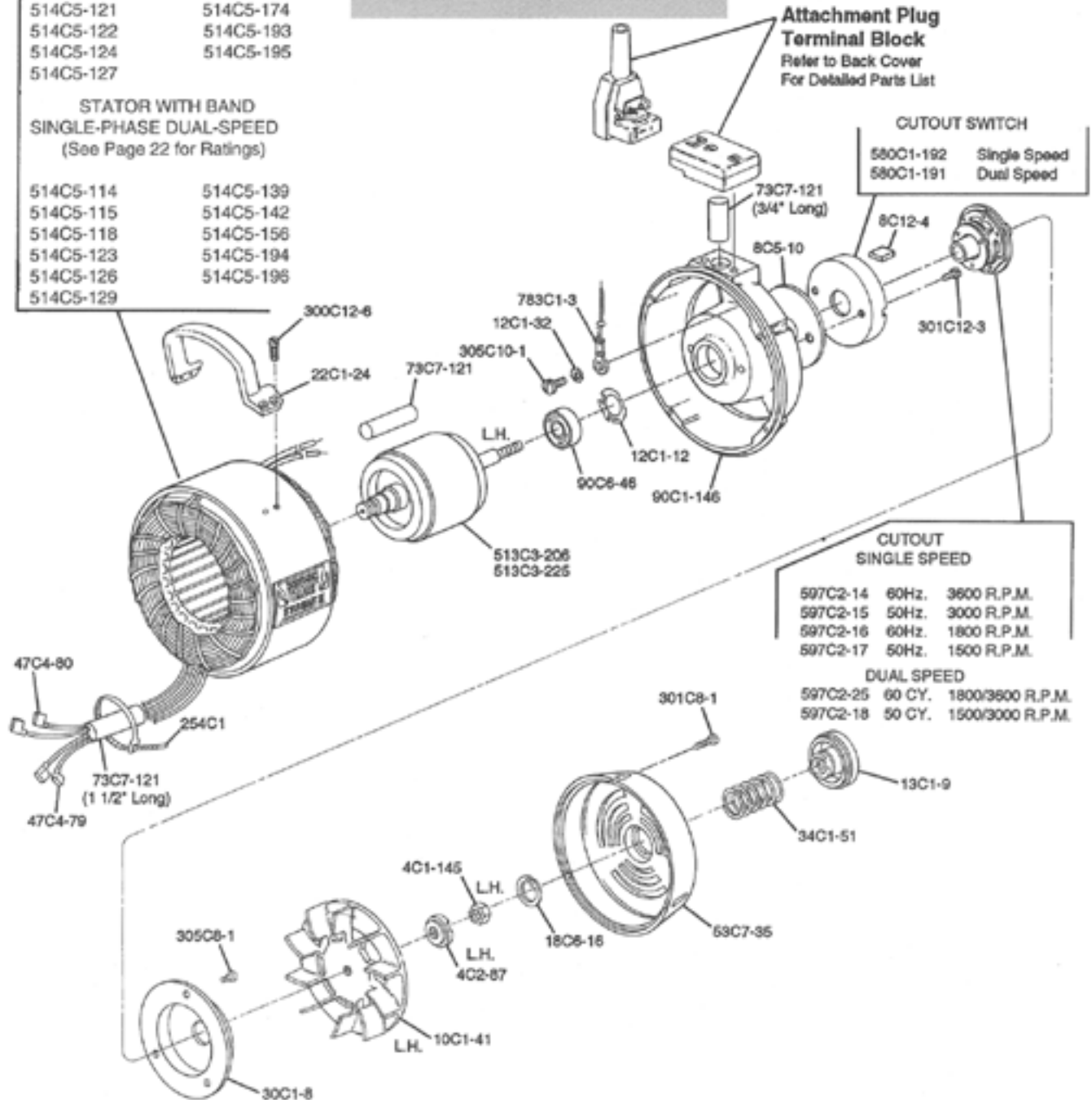


Figure 22. Single/Dual-Phase Motor Assembly (Exploded View)

Three-Phase Motor Assemblies (Single- and Dual-Speed)

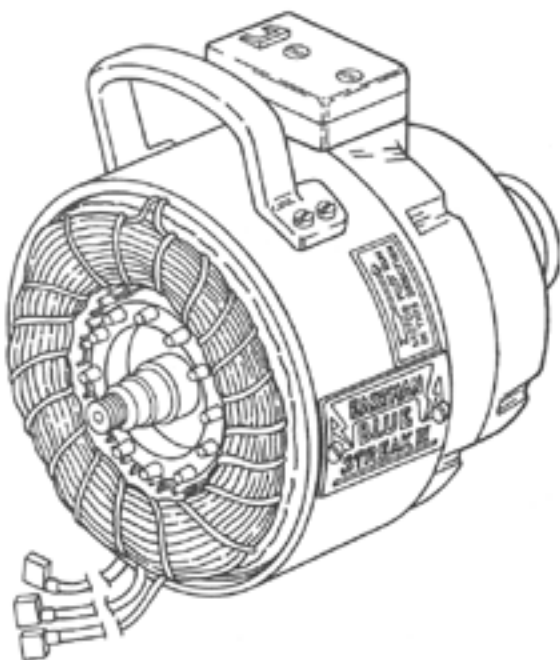


Figure 23. Three-Phase Motor Assembly
(Assembled View)

Note: Please specify model and serial number of machine when ordering parts.

Part No.	No. Req'd	Description
1C4-8	1 1	Sleeve, Cutout
4C1-145	1 1	Shaft Lock Nut
4C2-87	1 1	Nut, Clutch
10C1-41	1 1	Rotor Fan
12C1-12	1 1	Loading Spring Washer
12C1-32	1 1	Lock Washer
13C1-9	1 1	Turning Knob
18C6-16	1 1	Retaining Ring
22C1-24	0 1	Handle, Carrying
30C1-8	1 1	Dust Cap
34C1-51	1 1	Clutch Spring
53C7-35	1 1	Fan Cover
67C1-10	1 1	Cutout Mount
73C7-121	1 1	Tubing, Terminal Wire
79C2-26	1 1	Plate, Direction Arrow
90C1-146	1 1	Rear Bearing Housing
90C6-46	1 1	Rear Ball Bearing
199C1-23	3 3	Wire Lug
254C1	1 1	Cable Tie
300C12-3	2 2	Screw, 8-32 x 3/8 Round Hd.
300C12-6	4 4	Screw, Round Hd.
301C8-1	3 3	Screw, 4-40 x 1/2 Fillister Hd.
305C8-1	10 10	Screw, Binding Hd.
305C10-1	1 1	Screw, Binding Hd.
513C3-206	0 1	Rotor and Shaft
513C3-225	1 0	Rotor and Shaft
514C5-116	1 0	Stator with Band 100V 60 Hz. 3600 R.P.M.
514C5-130	0 1	Stator with Band 125V 50 Hz. 3000 R.P.M.
514C5-135	0 1	Stator with Band 208V 60 Hz. 3600 R.P.M.
514C5-143	0 1	Stator with Band 220V 50 Hz. 3000 R.P.M.
514C5-144	0 1	Stator with Band 220V 50 Hz. 1500 R.P.M.
514C5-145	0 1	Stator with Band 220V 50 Hz. 1500/3000 R.P.M.
514C5-146	0 1	Stator with Band 220V 60 Hz. 3600 R.P.M.
514C5-147	0 1	Stator with Band 220V 60 Hz. 1800 R.P.M.
514C5-148	0 1	Stator with Band 220V 60 Hz. 1800/3600 R.P.M.
514C5-151	0 1	Stator with Band 380V 50 Hz. 3000 R.P.M.
514C5-152	0 1	Stator with Band 380V 50 Hz. 1500 R.P.M.
514C5-155	1 0	Stator with Band 220V 60 Hz. 3600 R.P.M.
514C5-157	1 0	Stator with Band 220V 50Hz. 3000 R.P.M.
514C5-158	1 0	Stator with Band 220V 60Hz. 1800/3600 R.P.M.
514C5-159	0 1	Stator with Band 110V 50 Hz. 3000 R.P.M.
514C5-161	1 0	Stator with Band 380V 50 Hz. 3000 R.P.M.
514C5-164	0 1	Stator with Band 220/380V 50 Hz. 3000 R.P.M.
514C5-166	1 0	Stator with Band 220/380V 50 Hz. 3000 R.P.M.
514C5-168	1 0	Stator with Band 220V 60 Hz. 1800 R.P.M.
514C5-171	1 0	Stator with Band 380V 50Hz. 1500/ 3000 R.P.M.
514C5-172	1 0	Stator with Band 380V 50 Hz. 1500 R.P.M.
514C5-173	1 0	Stator with Band 220V 50Hz. 1500/ 3000 R.P.M.
783C1-3	1 1	Ground Wire Assy.

**STATOR WITH BAND
THREE-PHASE SINGLE-SPEED**
(See Page 24 for Ratings)

- | | |
|-----------|-----------|
| 514C5-116 | 514C5-155 |
| 514C5-130 | 514C5-157 |
| 514C5-135 | 514C5-159 |
| 514C5-143 | 514C5-164 |
| 514C5-144 | 514C5-166 |
| 514C5-146 | 514C5-168 |
| 514C5-147 | 514C5-172 |
| 514C5-151 | 514C5-161 |
| 514C5-152 | |

**STATOR WITH BAND
THREE-PHASE DUAL-SPEED**
(See Page 24 for Ratings)

- | |
|-----------|
| 514C5-145 |
| 514C5-148 |
| 514C5-158 |
| 514C5-171 |
| 514C5-173 |

WARNING
Attach ground wire to ground terminal "E" on Terminal block. Failure to ground Terminal block may result in electrocution or other serious personal injuries.

Note: L.H. indicates left-hand thread. All others are right-hand.

**Attachment Plug
Terminal Block**
Refer to Back Cover
For Detailed Parts List

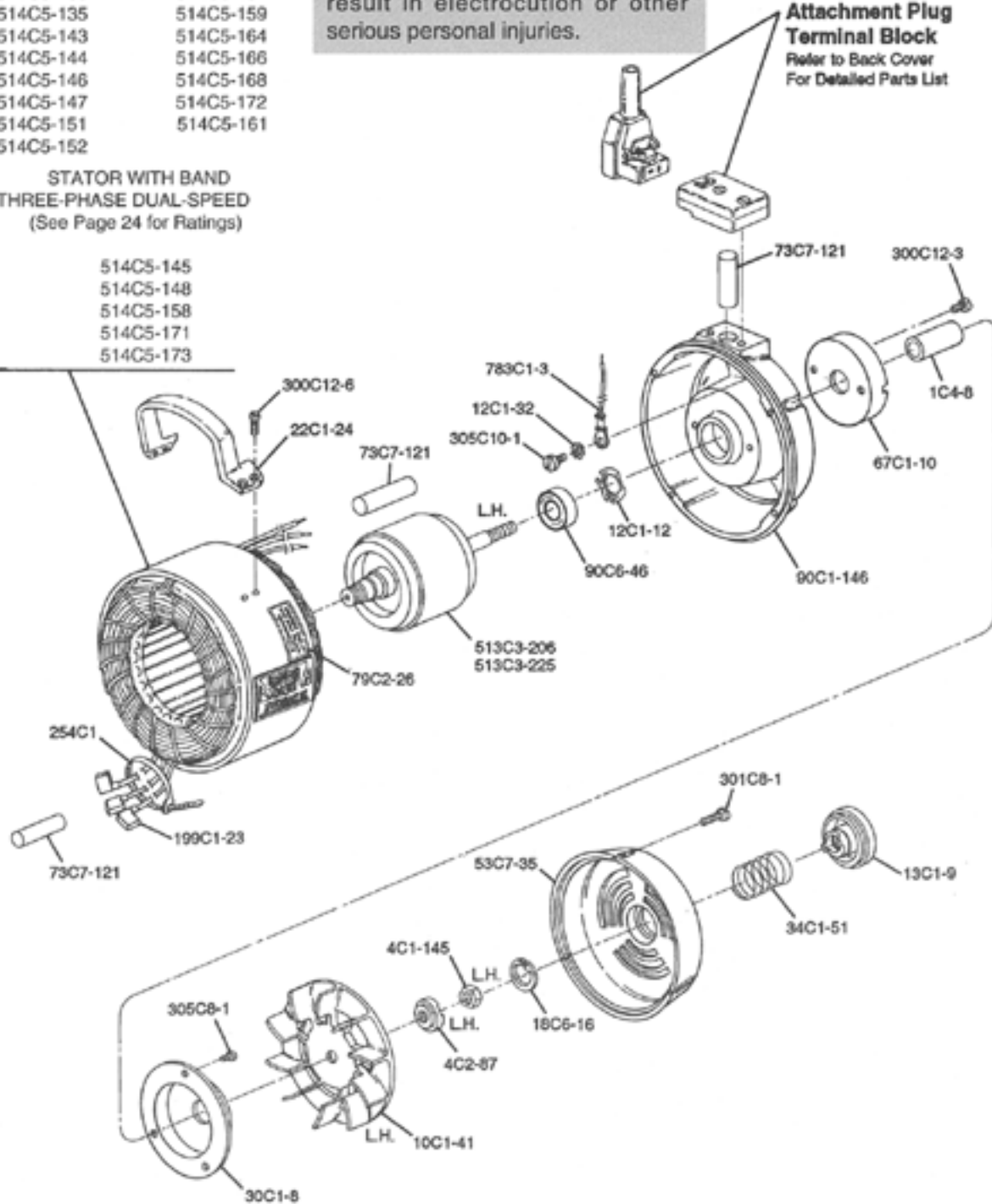


Figure 24. Three-Phase Motor Assembly (Exploded View)

EASTMAN

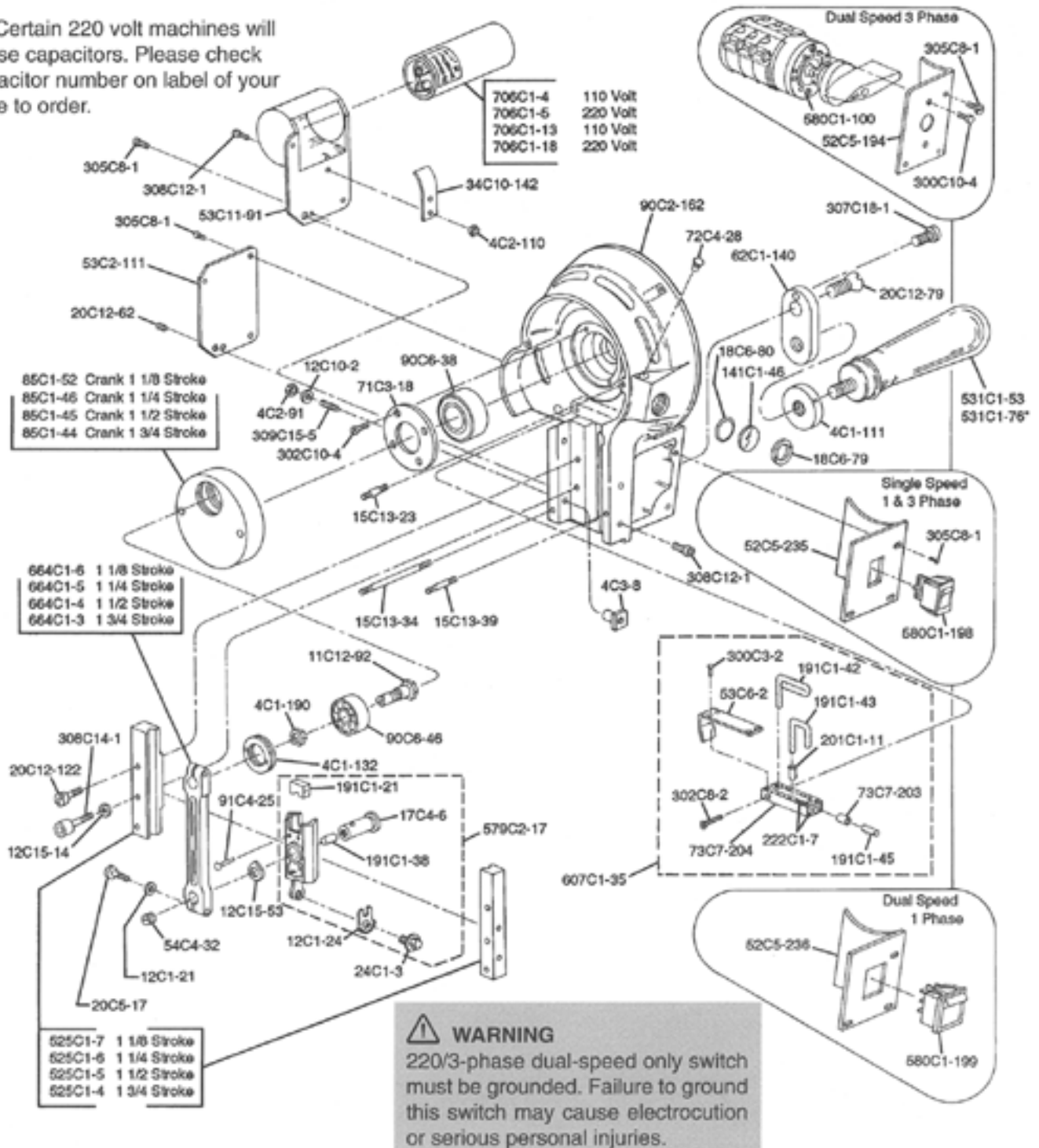
Front Bearing Housing (90C2-162) with Oiler Assembly

Note: Please specify model and serial number of machine when ordering parts.

Part No.	No. Req'd	Description
4C1-111	1 1	Operating Handle Lock Nut
4C1-132	1 1	Crank Ball Bearing Lock Nut
4C1-190	1 1	Lock Nut for Shaft
4C2-91	3 3	Nut for Guide Screw
4C2-110	1 1	Stop Nut
4C3-8	3 3	Guide Adjustment Nut
11C12-92	1 1	Shaft for Ball Bearing
12C1-21	2 2	Shakeproof Washer
12C1-24	1 1	Knife Lock Washer
12C10-2	3 3	Washer
12C15-14	6 6	Guide Washer
12C15-53	1 1	Connecting Rod Washer
15C13-23	2 2	Stud, Upper
15C13-34	1 1	Stud, Lower L.H. Mounting
15C13-39	1 1	Stud, Lower R.H. Mounting
17C4-6	1 1	Wrist Pin
18C8-79	1 1	Lock Ring
18C8-80	1 1	O-Ring
20C5-17	2 2	Connecting Rod Clamp Screw
20C12-62	1 1	Front Housing Plug Screw
20C12-79	1 1	Screw for Handle Bracket
24C1-3	1 1	Knife Lock Bolt
34C10-142	1 1	Spring for Capacitor
52C5-194	1 1	Switch Plate (Dual-Speed Three-Phase)
52C5-235	1 1	Switch Plate (Single-Speed)
52C5-236	1 1	Switch Plate (Dual-Speed Single-Phase)
53C2-111	1 1	Switch Cover
53C6-2	1 1	Oiler Tube Cover
53C11-91	1 1	Capacitor Cover
54C4-32	1 1	Wrist Pin Plug

Part No.	No. Req'd	Description
62C1-140	1 1	Handle Bracket
71C3-18	1 1	Front Ball Bearing Retainer
72C4-28	1 1	Oil Hole Cover
73C7-203	1 1	Oil Tube, Clear
73C7-204	1 1	Oiler Tube
85C1-52	1 1	Crank-1-1/8 Stroke
85C1-46	1 1	Crank 1-1/4 Stroke
85C1-45	1 1	Crank 1-1/2 Stroke
85C1-44	1 1	Crank 1-3/4 Stroke
90C2-162	1 1	Front Bearing Housing
90C6-38	1 1	Front Ball Bearing
90C6-46	1 1	Sealed Crank Ball Bearing
91C4-25	2 2	Rivet Crosshead
141C1-40	1 1	Gauge, Clear
191C1-21	1 1	Cross Head Felt Pad
191C1-38	1 1	Wrist Pin Felt Pad
191C1-42	1 1	Oil Felt Wicking, Long
191C1-43	1 1	Oil Felt Wicking, Short
191C1-45	1 1	Oil Felt Wicking, .187 x .44
201C1-11	1 1	Eyelet
222C1-7	1 1	RTV Sealer
300C3-2	4 4	Screw
302C8-2	1 1	Screw, Flat Head 4-40 x 3/4
300C10-4	2 2	Screw, 6-32 x 3/8 Long Round Head
302C10-4	4 4	Screw, 6-32 x 5/16 Flat Head
305C8-1	7 7	Screw, 4-40x 1/4 Binding Head
307C18-1	1 1	Screw
308C12-1	3 3	Screw, 8-32 x 3/8 Socket Head
308C14-1	6 6	Guide Hold Down Screw
309C15-5	3 3	Guide Adjustment Screw
525C1-4	1 1	L.H. & R.H. Guides 1-3/4 Stroke
525C1-5	1 1	L.H. & R.H. Guides 1-1/2 Stroke
525C1-6	1 1	L.H. & R.H. Guides 1-1/4 Stroke
525C1-7	1 1	L.H. & R.H. Guides 1-1/8 Stroke
531C1-53	1 1	Operating Handle
531C1-76*	1 (ea. machine class)	Cushion Grip Handle
579C2-17	1 1	Cross Head (With Wrist Pin, Lock Washer & Bolt)
580C1-100	1 1	Switch - Dual-Speed 3-Phase
580C1-198	1 1	Switch - Single-Speed 1- & 3-Phase
580C1-199	1 1	Switch - Dual-Speed 1-Phase
607C1-35	1 1	Oiling Device
664C1-6	1 1	Connecting Rod 1-1/8 Stroke
664C1-5	1 1	Connecting Rod 1-1/4 Stroke
664C1-4	1 1	Connecting Rod 1-1/2 Stroke
664C1-3	1 1	Connecting Rod 1-3/4 Stroke
706C1-4	0 1	Capacitor 110 Volt
706C1-5	0 1	Capacitor 220 Volt
706C1-13	1 0	Capacitor 110 Volt
706C1-18	1 0	Capacitor 220 Volt

Note: Certain 220 volt machines will use these capacitors. Please check the capacitor number on label of your machine to order.



Notes: L.H. indicates left-hand thread. All others are right-hand.

Slip large lug over switch before replacing switch base. Secure switch to base tightly to ensure positive ground.

Figure 25. Front Bearing Housing with Oiler Assembly (Exploded View)

Eastmanmachine
 COMPANY

Sharpener Housing Assembly

(Front View)

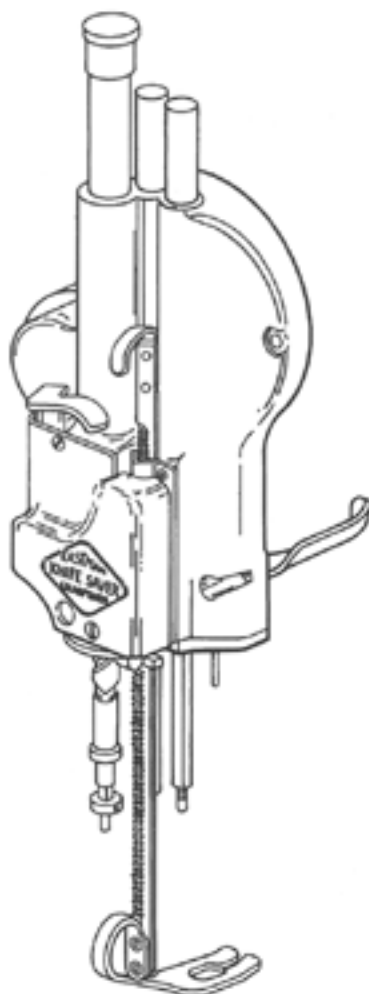


Figure 26. Sharpener Housing Assembly
(Assembled, Front View)

Note: Please specify model and serial number of machine when ordering parts.

Part No.	No. Req'd	Description
For both 627 & 629		
4C1-149	1	Nut, Elastic
4C1-161	1	Nut, Self Lock
4C2-112	1	R.H. Nut for Screw Shaft
4C2-113	1	L.H. Nut for Screw Shaft
5C5-16	1	Collar, Lower
11C12-54	1	Shaft for Cam
12C15-57	1	Spring Washer for Release Lever
12C15-69	1	Washer for Lock Bracket
12C15-74	4	Washer, Flat
12C15-91	2	Thrust Washer, Upper Nut
17C15-106	1	Roll Pin for Collar
20C4-17	1	Pressure Foot Lever Screw
20C12-13	1	Cam Shaft Spring Screw
20C12-113	1	Screw for Latch
20C12-117	2	Screw for Pressure Foot Shoe
20C12-156	1	Screw for Release Lever
20C12-137	1	Screw for Knife Guard Lock
22C3-2	1	Lift Handle for Knife Guard Lock
34C1-20	1	Tension Spring
34C8-12	1	Spring for Pressure Foot Lock
34C10-179	1	Spring for Pressure Foot Lever
34C10-107	1	Spring for Latch
53C11-72	1	Cover for Cam
53C11-103	1	Vinyl Cover for Handle
56C4-49	1	Spacer for Knife Guard Lock Bracket
68C1-192	1	Pressure Foot Shoe, All Strokes
71C3-15	3	Thrust Ball Bearing
86C7-34	1	Cap for Tube
90C4-47	1	Bearing for Cam Shaft
97C3-35	1	Latch for Cam
147C1-26	1	Extension for Screw Shaft
171C1-16	1	Lock (Only) for Pressure Foot
300C10-1	2	Screw, #6-32 x 3/16 Round Head
300C10-4	4	Screw, #6-32 x 3/8 Round Head
302C10-4	1	Screw, #6-32 x 5/16 Flat Head
302C10-8	1	Screw, #6-32 x 3/4 Flat Head
309C15-7	1	Set Screw for Cam
553C1-7	1	Pressure Foot Lock Bracket Complete
553C1-8	1	Pressure Foot Lock Bracket Only
605C1-36	1	Pressure Foot Rod 7"-8" Knife
605C1-37	1	Pressure Foot Rod 9"-10" Knife
605C1-33	1	Pressure Foot Rod 11-1/2" Knife
605C1-34	1	Pressure Foot Rod 13" Knife
621C1-7	1	Release Lever With Cam
683C1-17	1	Pressure Foot Lever
713C4-4	1	Screw Shaft With Extension, R. & L. Hand Nuts 5"-8"
713C4-5	1	Screw Shaft With Extension, R. & L. Hand Nuts 9"-10"
713C4-6	1	Screw Shaft With Extension, R. & L. Hand Nuts 11-1/2"
713C4-7	1	Screw Shaft With Extension, R. & L. Hand Nuts 13"
732C1-11	1	Sharpener Housing (With Bushings and Tubes) Only 5"-8" Knife
732C1-12	1	Sharpener Housing (With Bushings and Tubes) Only 9"-10" Knife
732C1-20	1	Sharpener Housing (With Bushings and Tubes) Only 11-1/2" Knife
732C1-17	1	Sharpener Housing (With Bushings and Tubes) Only 13" Knife

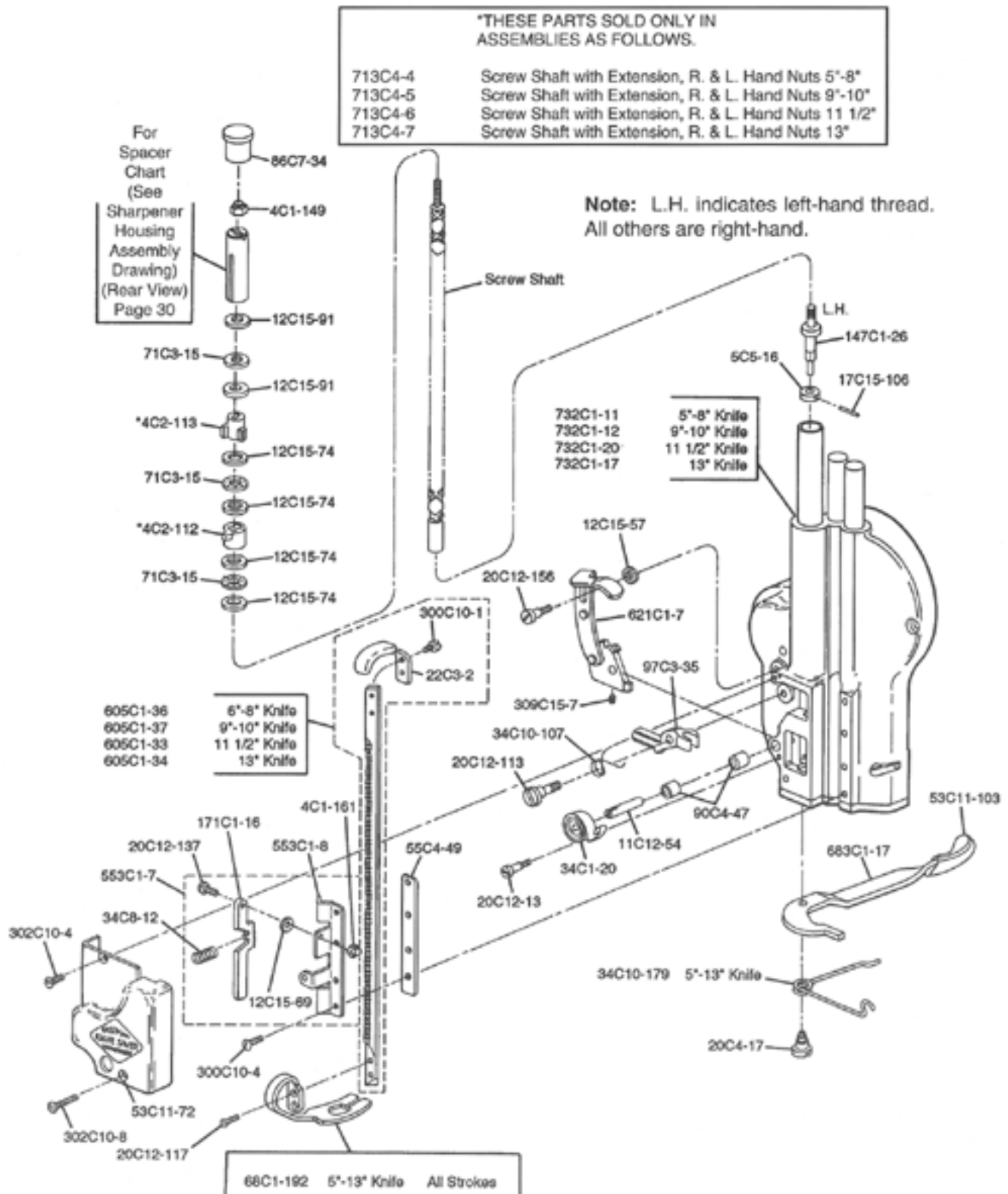


Figure 27. Sharpener Housing Assembly (Exploded, Front View)

Sharpener Housing Assembly

(Rear View)

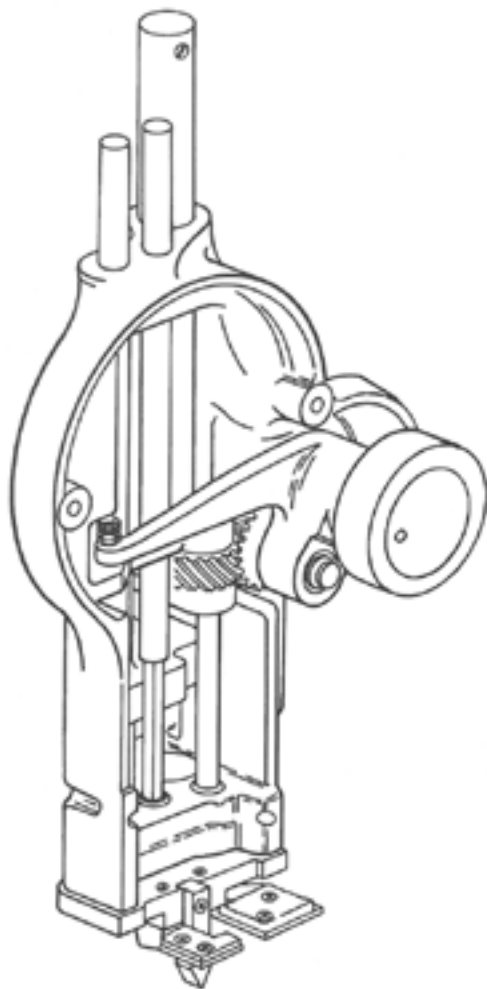


Figure 28. Sharpener Housing Assembly
(Assembled, Rear View)

Note: Please specify model and serial number of machine when ordering parts.

Part No.	No. Req'd	Description
For both 627 & 629		
4C2-2	1	Lock Nut for Shaft
4C2-85	1	R.H. Follower Nut
4C2-86	1	L.H. Follower Nut
11C12-58	1	R.H. Square Shaft 5"-8" Knife
11C12-59	1	R.H. Square Shaft 9"-10" Knife
11C12-81	1	R.H. Square Shaft 11-1/2" Knife
11C12-85	1	R.H. Square Shaft 13" Knife
11C12-56	1	L.H. Square Shaft 5"-8" Knife
11C12-57	1	L.H. Square Shaft 9"-10" Knife
11C12-80	1	L.H. Square Shaft 11-1/2" Knife
11C12-84	1	L.H. Square Shaft 13" Knife
11C12-64	1	Shaft for Crank
12C11-74	1	Thrust Washer
12C15-29	2	Thrust Washer
12C15-30	2	Thrust Washer for Bottom Plate
17C15-78	1	Pin for Bell Crank
17C15-103	1	Roll Pin for Push Rod
17C15-113	1	Spreader Pin
18C6-81	1	Retaining Ring for Shaft
18C6-26	1	Retaining Ring for Bell Crank
34C10-89	1	Spring for Bell Crank
55C4-41	1	Spacer for Ball Bearings
62C16-151	1	Sharpener Housing (Only)
65C6-75	1	Push Rod
71C1-10	1	Oil Retainer-Idler Gear
73C7-46	1	Tube for Square Shaft 5"-8" Knife
73C7-47	1	Tube for Square Shaft 9"-10" Knife
73C7-86	1	Tube for Square Shaft 11-1/2" Knife
73C7-88	1	Tube for Square Shaft 13" Knife
73C7-48	1	Tube for Screw Shaft 5"-8" Knife
73C7-49	1	Tube for Screw Shaft 9"-10" Knife
73C7-85	1	Tube for Screw Shaft 11-1/2" Knife
73C7-87	1	Tube for Screw Shaft 13" Knife
79C12-163	1	Bottom Plate, Sharpener Housing
85C3-8E	1	Bell Crank (Only)
87C3-8	1	Spiral Gear
87C3-44	2	Spur Gear
87C3-53	1	Gear and Shaft
90C4-29	1	Bearing for Drive Shaft (Lower)
90C4-33	2	Bearing for Gears
90C4-34	1	Bearing for Bell Crank
90C4-42	1	Bearing for Drive Shaft
90C4-48	1	Bearing for Drive Shaft (Upper)
90C4-58	1	Bearing for Screw Shaft
90C8-24	2	Ball Bearing for Crank
142C1-7	1	Key for Gear
191C1-21	1	Felt Pad for Cross Head
300C7-1	1	Screw, #4-36 x 1/8 Round Head
300C10-1	2	Screw, #6-32 x 3/16 Round Head
302C10-6	1	Screw, #6-32 x 1/2 Flat Head
302C12-3	3	Screw, #6-32 x 3/8 Flat Head
584C2-3	1	Bell Crank with Pin & Bearing (Only)
584C3-16	1	Bell Crank Complete with Lever
602C1-7	1	Slow Speed Driver Assembly
602C1-9	1	Driver Pulley with Driver
627C1-10	1	Idler Gear & Bushing
716C1-12	1	Driver Shaft with Gear
727C1-6	1	Oil Pad & Holder

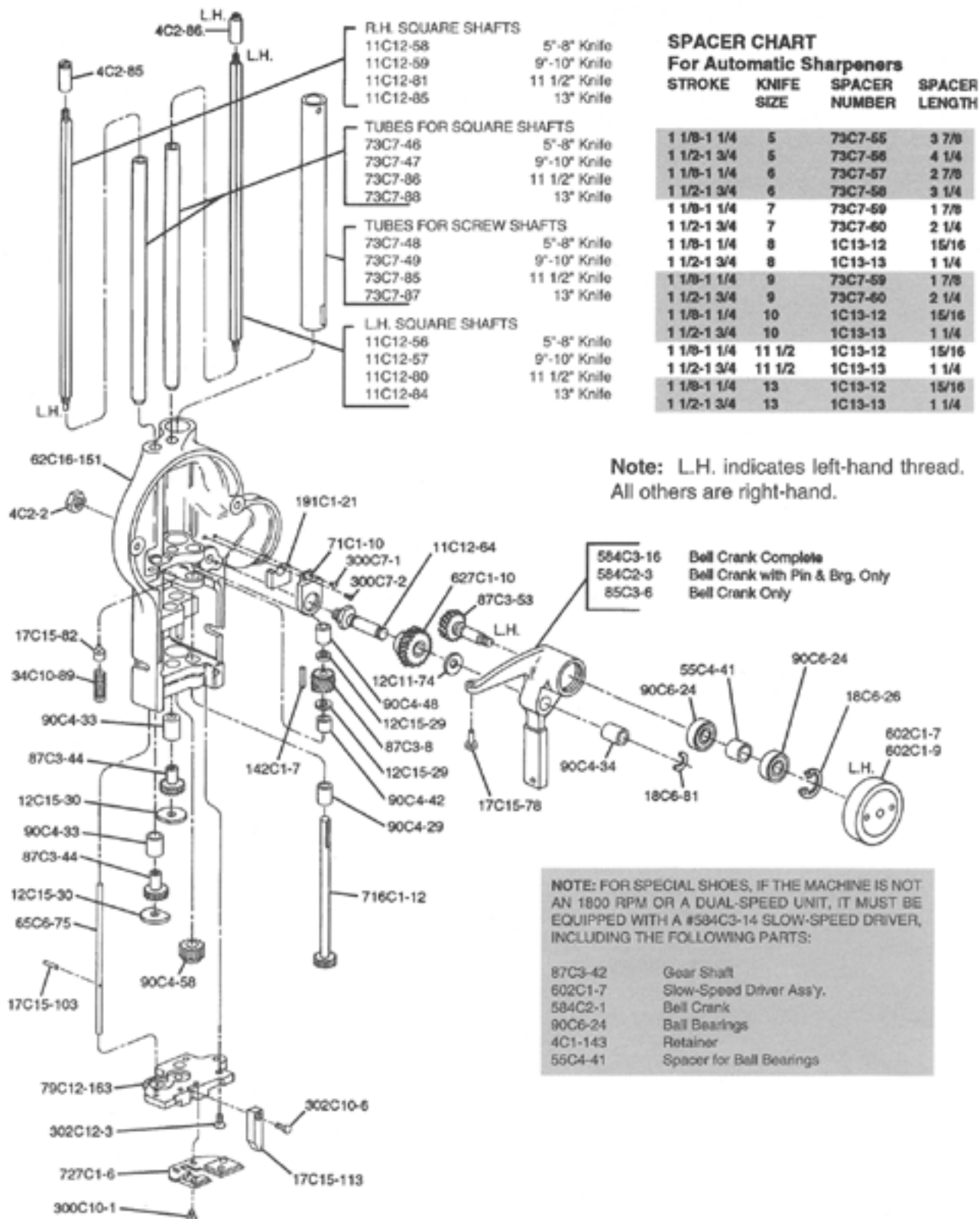


Figure 29. Sharpener Housing Assembly (Exploded, Rear View)

Lower Gear Bracket Assembly

Illustrated Parts List

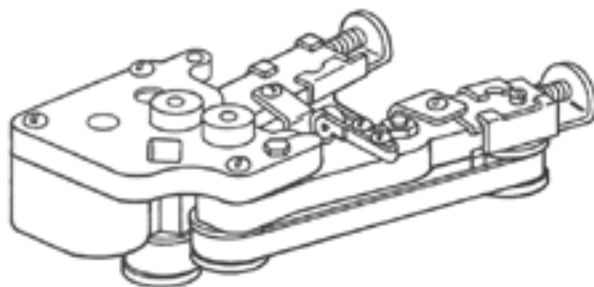


Figure 30. Lower Gear Bracket Assembly (Assembled View)

Part No.	No. Req'd	Description
4C1-189	1	Jam Nut, #8-32
4C2-63	2	Nut for Sharpener Shoe Screw
12C15-93	4	Washer, Shoe
17C15-106	2	Roll Pin (For Pulley 152C1-19)
20C6-25	1	Adjusting Screw
20C12-57	2	Screw for Sharpener Shoe (Wave Knife Only)
20C12-143	1	Screw for Clamping Arm
20C12-153	2	Screw for Sharpener Shoe
21C14-14	2	Bushing for Sharpener Shoe
34C10-45	2	Spring for Pulley Slide
34C10-47	1	L.H. Sharpener Shoe Spring (Wave Knife Only)
34C10-57	1	R.H. Sharpener Shoe Spring (Wave Knife Only)
34C10-123	1	Spring for Arm

Complete Sharpener Assembly Numbers: 637C10*					
		Machine Stroke			
		1-1/8"	1-1/4"	1-1/2"	1-3/4"
Height of Machine	5"	-20,	-21,	-22,	-23,
	6"	-24,	-25,	-26,	-27,
	7"	-28,	-29,	-30,	-31,
	8"	-32,	-33,	-34,	-35,
	9"	-36,	-37,	-38,	-39,
	10"	-40,	-41,	-42,	-43,
	11-1/2"		-45,	-46,	-47,
	13"	-48,	-49,	-50,	-51

Part No.	No. Req'd	Description
34C10-148	1	L.H. Sharpener Shoe Spring
34C10-149	1	R.H. Sharpener Shoe Spring
35C7-26	1	Clamping Arm for Shoe
53C4-78	1	Gear Cover
54C4-35	1	Oil Hole Plug
62C6-31	1	Bracket, Lower Gear
70C4-32	1	Guide Back of Standard
79C12-219	2	Wear Plate
87C3-50	1	Gear on Screw Shaft
87C5-13	1	Intermediate Gear
90C4-47	1	Bearing for Intermediate Gear
90C4-51	1	Bearing for Screw Shaft
90C4-59	2	Bearing for Shaft Extension
147C1-28	1	R.H. Shaft Extension
147C1-29	1	L.H. Shaft Extension
152C1-19	2	Front Pulley for Belt
209C1	2	Neoprene Band for Pulley
300C7-3	4	Screw, #4-36 x 1/4 Round Head
300C10-2	2	Screw, #6-32 x 1/4 Round Head
300C10-6	3	Screw, #6-32 x 1/2 Round Head
301C7-2	2	Screw, #4-36 x 3/16 Fillister Head
301C10-3	1	Screw, #6-32 x 3/8 Fillister Head
309C12-2	1	Stop Screw, L.H. Shoe
712C1	1	R.H. Slide with Pulley
712C1-1	1	L.H. Slide with Pulley
715C1-19	1	Lower Gear Bracket with Cover Brgs., Screws & Wear Plate 5"-13" Knife
715C1-23	1	Lower Gear Bracket (Complete)
728C1-5	2	Stabilizer Assembly
743C1-26	1	R.H. Shoe (Wave Knife Only)
743C1-27	1	L.H. Shoe (Wave Knife Only)
743C1-28	1	R.H. Pre-set Sharpener Shoe (Only)
743C1-29	1	L.H. Pre-set Sharpener Shoe (Only)
820C1-7	1	L.H. Complete Shoe Assembly
820C1-8	1	R.H. Complete Shoe Assembly

Note: Please specify model and serial number of machine when ordering parts.

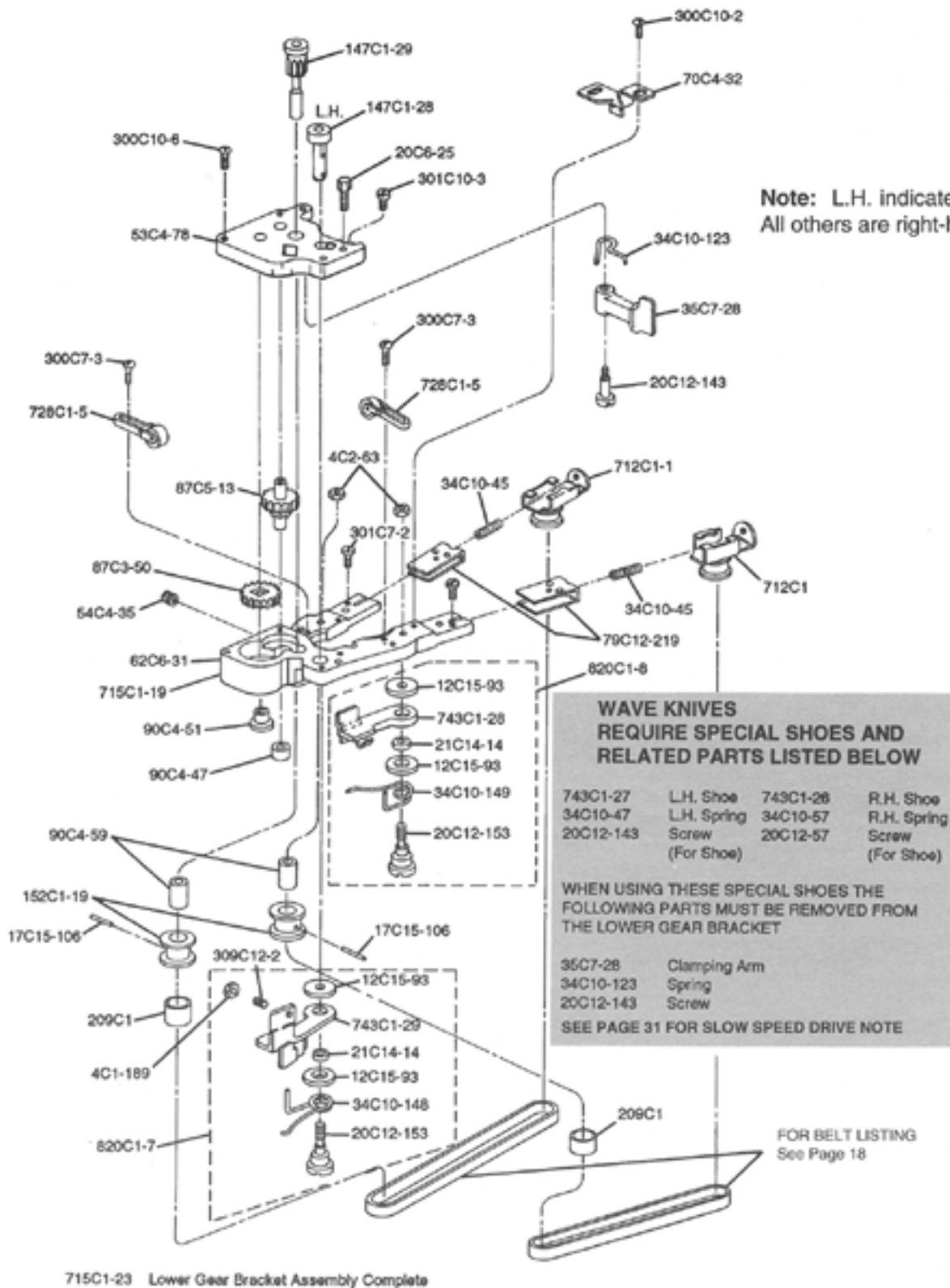


Figure 31. Lower Gear Bracket Assembly (Exploded View)

Standard and Baseplate Assembly

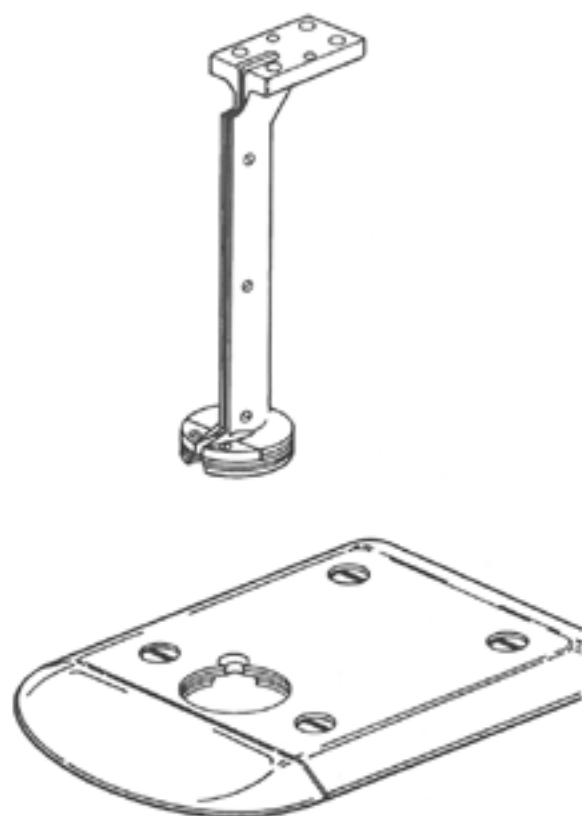


Figure 32. Standard and Baseplate Assembly
(Assembled View)

Note: Please specify model and serial number of machine when ordering parts.

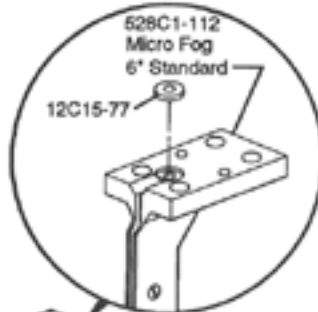
Part No.	No. Req'd	Description
	For both 627 & 629	
12C1-35	4	Lock Washer, #8
12C15-77	1	Washer for Micro Fog Standard
17C1-4	2	Taper Pin #0 x 3/4
17C5-9	2	Hinge Pin
20C5-12	8	Clamp Screw for Rollers
20C12-19	1	Knife Slide Screw
20C13-51	4	Hinge Pin Clamp Screw
34C1-57	2	Plate Wing Tension Spring
60C1-55	1	Plate Wing (For Small Plates)
60C1-56	1	Plate Wing (For Large Plates)
79C4-12	1	Throat Plates with Screws and Pins
79C4-24	1	Tapered & Relieved Throat Plates Assembly
213C1-1	6	Fibre Shim
302C12-3	3	Screw, #8-32 x 3/8 Flat Head
505C3-223	1	Small Plate Base Complete (5"-8" Knife)
505C3-224	1	Large Plate Base Complete (9"-13" Knife)
505C3-226	1	Small Plate Base Complete (5"-8" Knife)
		For 50 Cycle 1500 R.P.M. & Dual-Speed Only
505C3-227	1	Large Plate Base Complete (9"-13" Knife)
		For 50 Cycle 1500 R.P.M. & Dual-Speed Only
505C3-243	1	Small Plate Base Complete (5"-8" Knife)
		Used with Swivel Roller Assembly Only
505C3-244	1	Large Plate Base Complete (9"-13" Knife)
		Used with Swivel Roller Assembly Only
528C1-112	1	Micro Fog Standard (Completes with Slides and Throat Plates) 6" Knife
528C1-123	1	Standard (Complete with Slides and Throat Plates) 5" Knife
528C1-120	1	Standard (Complete with Slides and Throat Plates) 6" Knife
528C1-122	1	Standard (Complete with Slides and Throat Plates) 7" Knife
528C1-121	1	Standard (Complete with Slides and Throat Plates) 8" Knife
528C1-115	1	Standard (Complete with Slides and Throat Plates) 9" Knife
528C1-116	1	Standard (Complete with Slides and Throat Plates) 10" Knife
528C1-124	1	Standard (Complete with Slides and Throat Plates) 11-1/2" Knife
528C1-125	1	Standard (Complete with Slides and Throat Plates) 13" Knife
532C2-3	4	Rubber Mounted Roller (Complete)
532C2-5	4	Rubber Mounted Roller (Complete)
532C2-7	4	Rubber Mounted Roller (Complete)
619C1-31	4	Roller Shell (Complete)
643C1-44	1	Knife Slides (Complete with Screws) 5" Knife
643C1-41	1	Knife Slides (Complete with Screws) 6" Knife
643C1-42	1	Knife Slides (Complete with Screws) 7" Knife
643C1-43	1	Knife Slides (Complete with Screws) 8" Knife
643C1-46	1	Knife Slides (Complete with Screws) 9" Knife
643C1-47	1	Knife Slides (Complete with Screws) 10" Knife
643C1-53	1	Knife Slides (Complete with Screws) 11-1/2" Knife
643C1-45	1	Knife Slides (Complete with Screws) 13" Knife
643C1-51	1	Knife Slides (Complete with Screws) 6" Micro Fog
619C1-32	2	Swivel Roller Assembly

STANDARDS COMPLETE W/SLIDES

528C1-123	5" Standard
528C1-120	6" Standard
528C1-122	7" Standard
528C1-121	8" Standard
528C1-115	9" Standard
528C1-116	10" Standard
528C1-124	11-1/2" Standard
528C1-125	13" Standard

KNIFE SLIDES

643C1-44	5" Knife
643C1-41	6" Knife
643C1-42	7" Knife
643C1-43	8" Knife
643C1-46	9" Knife
643C1-47	10" Knife
643C1-53	11-1/2" Knife
643C1-45	13" Knife
643C1-51	6" Micro Fog



INSTRUCTIONS FOR REMOVING WORN PLATE ROLLER SHELL

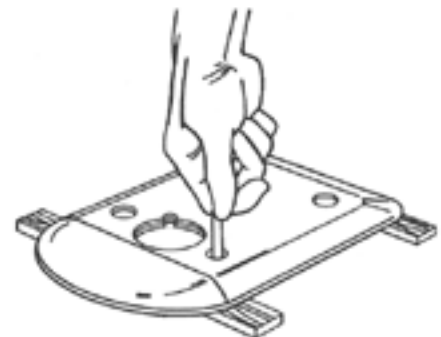


Figure 34. Removing a Worn Plate Roller Shell

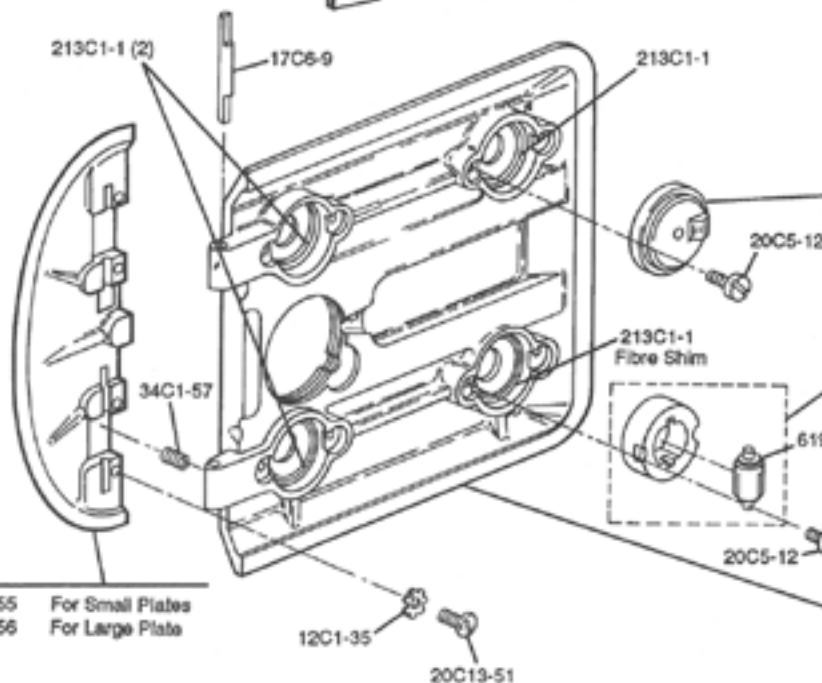
CAUTION

Do not oil the plate roller shells or you may damage them.

Place the plate on blocks and press out the roller shell from the ring assembly (Figure 34).

NOTE: A roller shell (complete with shaft and bearings) may be ordered as required. Specify part number 619C1-30.

To install a new roller shell, invert the baseplate and press the roller shell into the ring assembly.



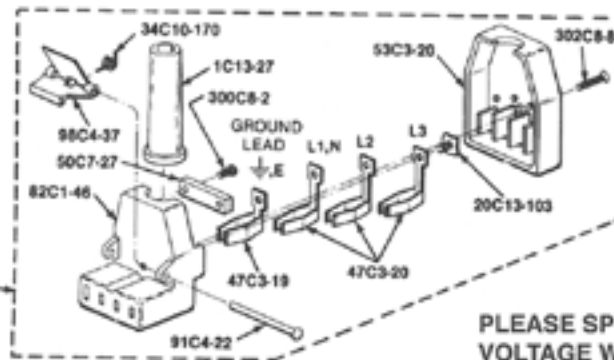
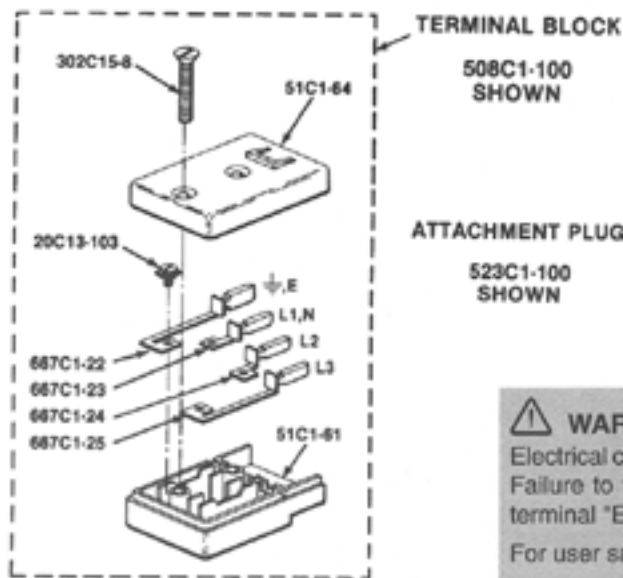
OPTIONAL

*619C1-32	Swivel Roller Assembly
532C2-3	Rubber Mounted Wide Roller
532C2-5	Rubber Mounted Roller (For All Machines Except Noted Below)
532C2-7	Rubber Mounted Roller (For 50 Cycle 1500 R.P.M. and Dual Speed Machines Only)
505C3-223	Small Plate for 5"-8" Knives
505C3-224	Large Plate for 9"-13" Knives
FOR 50 CYCLE 1500 R.P.M. & DUAL SPEED MACHINES ONLY	
505C3-226	Small Plate for 5"-8" Knives
505C3-227	Large Plate for 9"-13" Knives
FOR PLATES WITH SWIVEL ROLLERS	
505C3-243	Small Plate for 5"-8" Knives
505C3-244	Large Plate for 9"-13" Knives

Figure 33. Standard and Baseplate Assembly (Exploded View)

Eastmanmachine
COMPANY

Electrical Connections



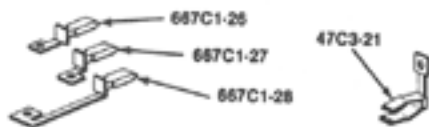
PLEASE SPECIFY VOLTAGE WHEN ORDERING PARTS

⚠ WARNING

Electrical connections to this machine must be made by a qualified electrician ONLY. Failure to follow applicable codes and regulations and conduct a ground lead to terminal "E" on the attachment plug may result in serious personal injuries.

For user safety, connect a ground lead to terminal "E" on the attachment plug.

Always unplug the machine before performing maintenance, adjustment or repairs.



Description	Part No.	EASTMAN 10A 380V 3~		EASTMAN 10A 220V 3~		EASTMAN 10A 220V ~		EASTMAN 15A 120V ~		EASTMAN 25A 42V ~	
		E	L1,N	L2	L3	E	L1,N	L2	L3	E	L1,N
Attachment Plug	→	523C1-99	523C1-100	523C1-101	523C1-102	523C1-103					
Cord Sleeve	1C13-27	1	1	1	1	1					
U-Lock Sleeve	20C13-103	4	4	3	3	3					
Spring	34C10-170	1	1	1	1	1					
Terminal Sleeve	47C3-19	1	1	1	1	1					
Terminal Sleeve (current)	47C3-20	2	3	1	1	1					
Terminal Sleeve (current)	47C3-21	1	—	1	1	1					
Cord Clamp	50C7-27	1	1	1	1	1					
Attachment Plug Cover	→	53C3-19	53C3-20	53C3-21	53C3-22	53C3-23					
Attachment Plug Body	82C1-45	1	—	—	—	—					
Attachment Plug Body	82C1-46	—	1	—	—	—					
Attachment Plug Body	82C1-47	—	—	1	—	—					
Attachment Plug Body	82C1-48	—	—	—	1	—					
Attachment Plug Body	82C1-49	—	—	—	—	1					
Rivet	91C4-22	1	1	1	1	1					
Thumb Clip	98C4-37	1	1	1	1	1					
Screw #4-40 x 3/8 Round Head	300C8-1	—	—	2	2	—					
Screw #4-40 x 1/2 Round Head	300C8-2	2	2	—	—	2					
Screw #4-40 x 7/8 Round Head	302C8-8	1	1	1	1	1					
Terminal Block	→	508C1-99	508C1-100	508C1-101	508C1-102	508C1-103					
U-Lock Screw	20C13-103	4	4	3	3	3					
Terminal Block Bottom	51C1-61	1	1	1	1	1					
Terminal Block Top	51C1-63	51C1-64	51C1-65	51C1-66	51C1-67						
Screw #10-32 x 1-1/8 Flat Head	302C15-8	2	2	2	2	2					
Terminal Contact w/Pin E	667C1-22	1	1	1	1	1					
Terminal Contact w/Pin L1,N	667C1-23	1	1	1	—	—					
Terminal Contact w/Pin L2	667C1-24	1	1	—	1	—					
Terminal Contact w/Pin L3	667C1-25	—	1	—	—	1					
Terminal Contact w/Pin L1,N	667C1-26	—	—	—	1	—					
Terminal Contact w/Pin L2	667C1-27	—	—	1	—	—					
Terminal Contact w/Pin L3	667C1-28	1	—	—	—	—					

Eastman machine
COMPANY

779 Washington St., Buffalo, N.Y. 14203-1396 U.S.A. • (716) 856-2200 • Fax (716) 856-1140 or (716) 856-2068